




# Datasheet

## Weatherproof LED Satellite

CAT. NO. 659551D



Colour	Grey
Operating Mode	Non-maintained
Type	DALI
Nominal Input Voltage	230 - 240 V a.c. 50 Hz
Battery	NiMH 6 V, 4.0 Ah
Power Consumption	3.3 W (Charge) / 1.1 W (Standby)
Inrush Current	10 A peak
Light Source Life (LSL)	100,000 hrs
Constructions (Lid/Box)	Transparent Polycarbonate / Polypropylene
Operating Temperature	10° C to 40° C
Lighting Classification	C <sub>0</sub> /C <sub>90</sub> D32
IP Rating	IP55
IK Rating	IK07
Compliance	AS/NZS 2293, AS/NZS 60598
Product Marking	  

# Weatherproof LED Satellite

CAT. NO. 659551D

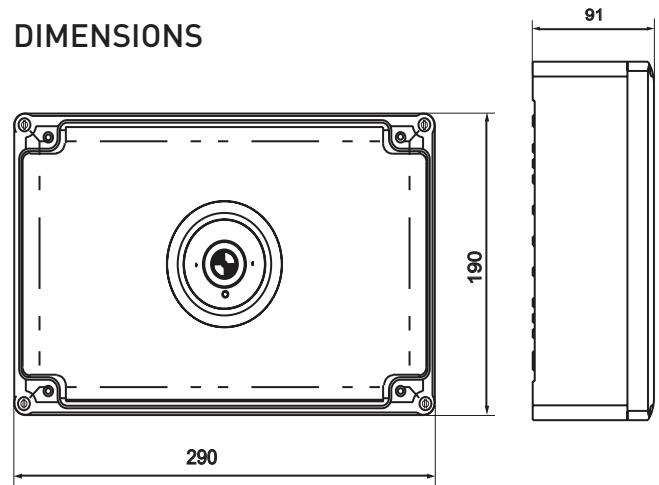


## FEATURES

- Suitable for exterior applications.
- DALI monitored.
- Designed and Manufactured in Australia.

Cat.No	Description
DALI	
659551D	Weatherproof LED Satellite, D32, IP55, NiMH

## DIMENSIONS



**Note:** All the dimensions are in mm.

## SPACING TABLE

Maximum spacings between luminaires for 0.2 lux (Australia)

Mounting Height (m)	2.7	3	3.3
Distance	14.8	16.5	17.6

As per AS/NZS 2293:2018

Maximum spacings between luminaires for 1 lux (New Zealand)

Mounting Height (m)	2.7	3	3.3
Distance	9.0	9.1	9.2

As per AS/NZS 2293:2018

Legrand Australia  
1300 369 777  
www.legrand.com.au  
ABN 31 000 102 661

Legrand New Zealand  
0800 476 009  
www.legrand.co.nz

Refer to your group buying office, Legrand Sales Representative or Legrand Sales Office for pricing.

Please note: specifications are subject to change without prior notice.

LE11879ABB

07\_2020